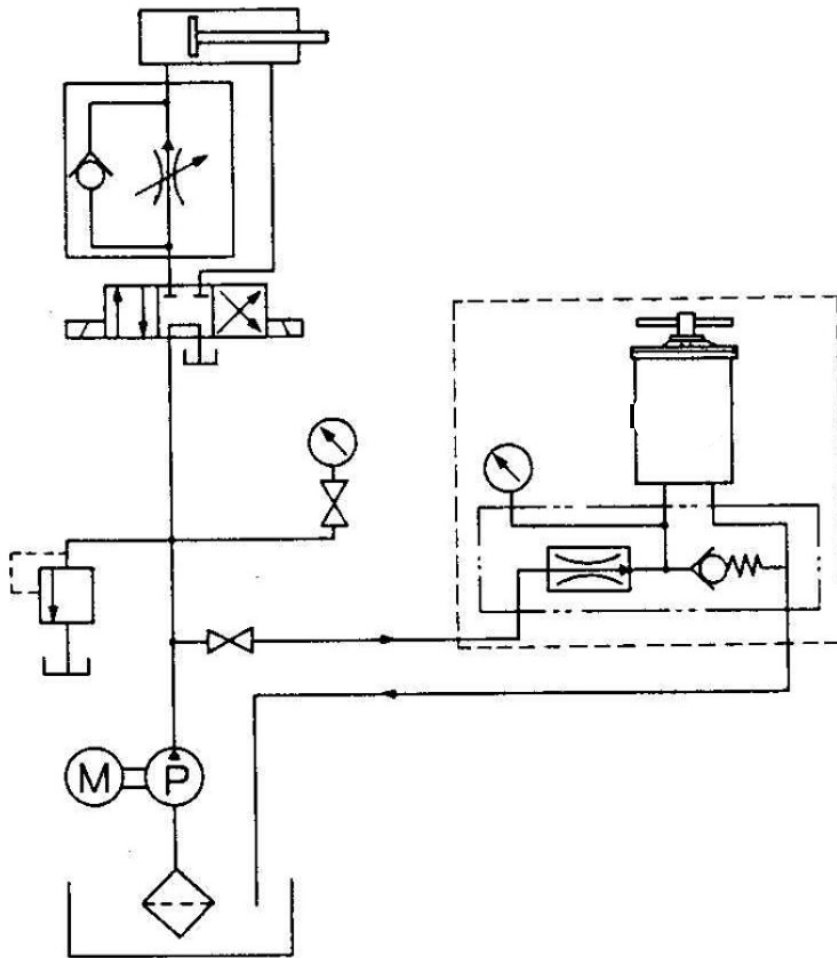
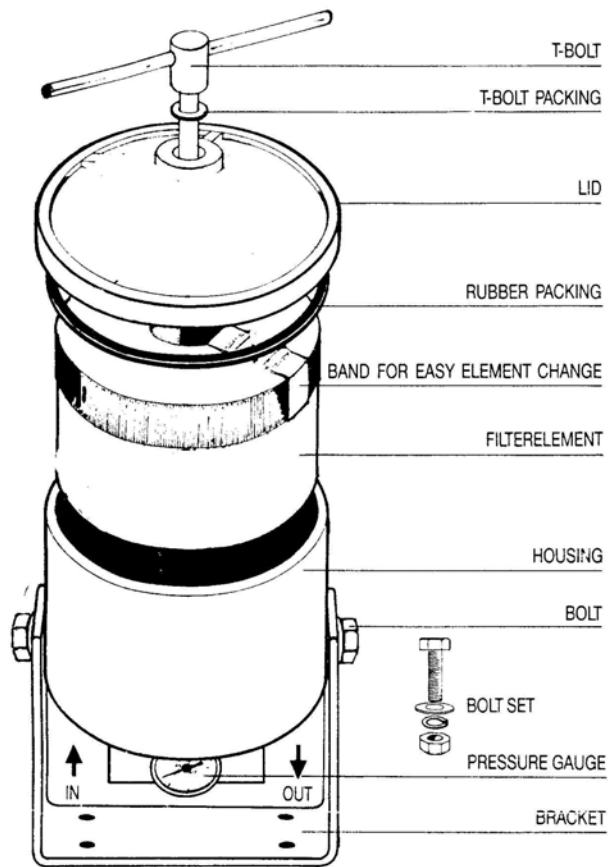


Hydraulische Instalation für H - Series





HYDRAULIC KIT 23 PIÉCES			
POS N°	DESCRIPTIONS	BU 32 / BU 50	BU 100
1	Adapter S with strainer PT 1/4 x PT 1/4	+	+
2	Tee PT 1/4 x PT 1/4 x PT 1/4	+	+
3	Hose adapter L PF 1/4 x PT 1/4	+	+
4	Blind plug PF 1/4	+	+
5	Hose adapter S PF 1/4 x PT 1/4	+	+
6	Hose fitting PF 1/4	+	+
7	Hose SAE 100 R1 AT - 3 metres	+	+
8	Hose fitting PF 1/4	+	+
9	Hose adapter S PF 1/4 x PT 1/4	+	+
10	Hose adapter L PF 1/4 x PT 1/4	+	+
11	Stop valve PT 1/4 x PT 1/4	+	+
12	Adapter S PT 1/4 x PT 1/4	+	+
13	Adapter L PT 1/4 x PT 1/4	+	+
14	Tee PT 1/4 x PT 1/4 x PT 1/4	+	+
15	Hose adapter S PF 3/8 x PT 1/4	+	
16	Hose adapter S PF 3/8 x PT 3/8		-
17	Hose adapter L PF 3/8 x PT 1/4	+	
18	Hose adapter L PF 3/8 x PT 3/8		+
19	Hose nipple PF 3/8	+	+
20	Hose SAE 100 R6 3/8 - 2 metres	+	+
21	Hose nipple PF 3/8	+	+
22	Hose adapter S PF 3/8 x PT 1/4	+	+
23	Hose adapter L FF 3/8 x PT 1/4	+	+

